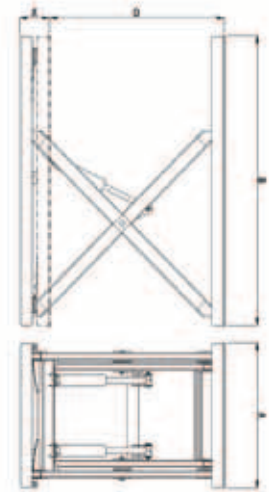


Scissor Platforms

For Goods & Vehicles

Single Scissor Goods Platform

KLEEMANN's single scissor goods platforms are designed according to the European Union Machinery Directive 2006/42/EC and meet all requirements of the standard EN15.70 and the draft standard prEN81-31. They are suitable for the vertical transport of goods between two levels. Scissor Platforms are a reliable solution for industrial or commercial installation occupying minimal space.



Features Advantages

- Minimum required Pit depth 200mm
- Manual downward switch in case of power failure
- Downward speed regulator
- Easy installation and maintenance
- Complete CE marking
- Technical support and guarantee by KLEEMANN

Standart platforms

Rated load [Kg]	500	1000	1500	2000	3000
A x B: Platform dimensions [mm]*	750 x 1500	1000 x 2000	1250 x 2500	1500 x 3000	2000 x 3500
D: max Travel [mm]	900	1200	1500	1850	2150
X: min Pit depth [mm]	200	225	250	300	350
Max Car speed [m/sec]	0.05				
Motor [KW]	1 / 400V	1.5 / 400V	1.2 / 400V	3 / 400V	4 / 400V

* Intermediate sizes are also available, please call our technical department.

Scissor Platform for Vehicles

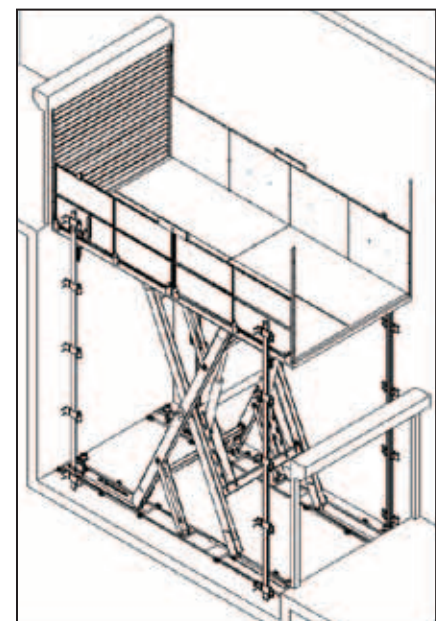
KLEEMANN's scissor lift platforms for vehicles are designed according to the European Union Machinery Directive 2006/42/EC. They are used for the vertical transportation of vehicles between two levels (max travel 3.9m) where the construction of a cement ramp or a car lift is not possible. They serve vehicle and driver safely and reliably, occupying minimal space in the building.

Features Advantages

- Special industrial type rolls supplied with obstacle detection system seamlessly integrated with the automation controller GL1 KTS
- Infrared light curtain installed on the platform for safe vehicle parking
- Easy installation and maintenance
- CE marking and complete certification from TUV Austria
- Technical support and guarantee by KLEEMANN

Rated load [Kg]	2500 (3000)*
Max Platform dimensions [mm]	2500 x 6000
Max Travel [mm]	3500 (3900)*
Max Car speed [m/sec]	0.10
Min Pit depth [mm]	550
Min Headroom [mm]	2200
Motor [kw]	4

* Also available, please call our technical department.



KL2SCISSORLIFTENG0911